

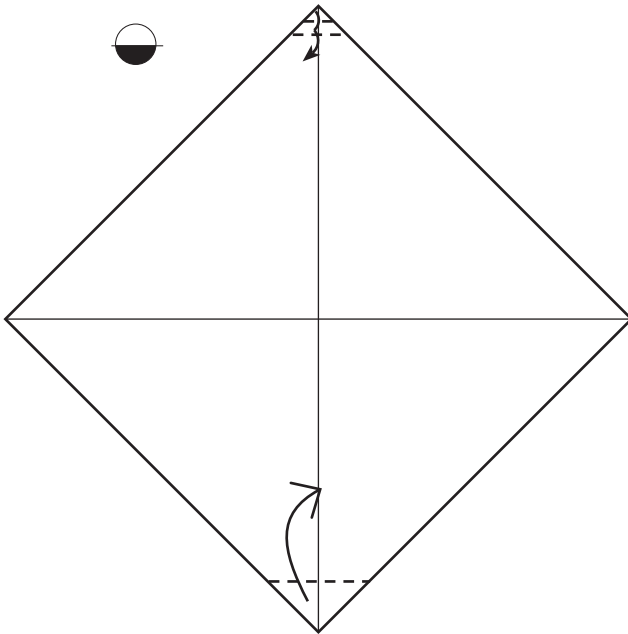
Heart of a Clown

© Gilad Aharoni (Israel) 2003

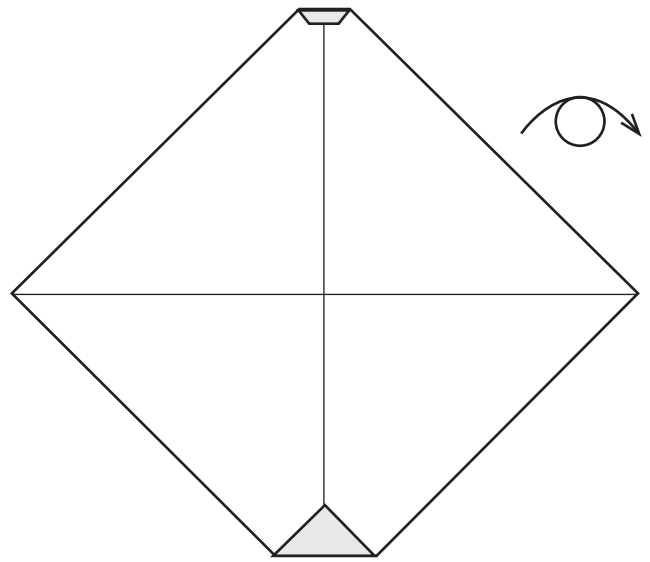
Low intermediate

A 15cm (6") square makes a 9cm (3.5") tall model.

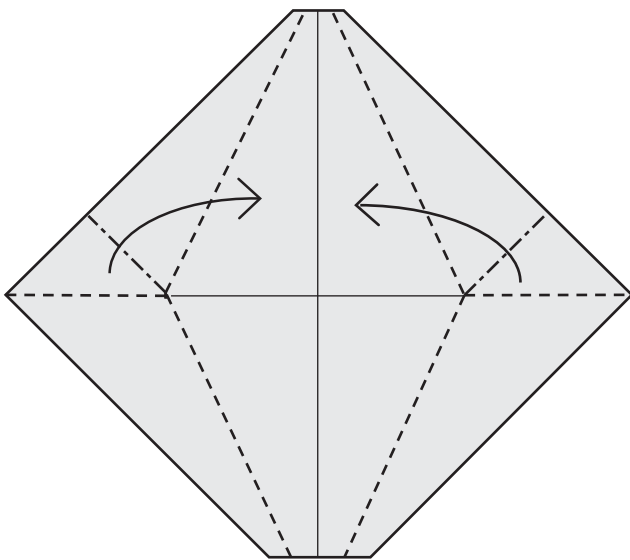
Most of the folds don't have reference points, so just watch the diagrams, and follow your heart!



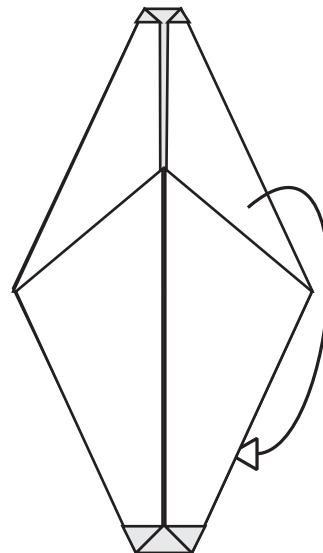
1. Start with a square, white side up. Valley fold tip over and over, and valley fold bottom corner up.



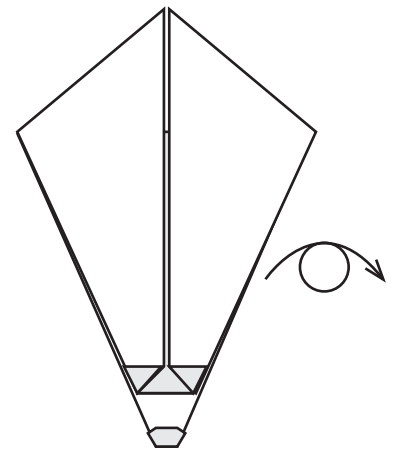
2. Turn over



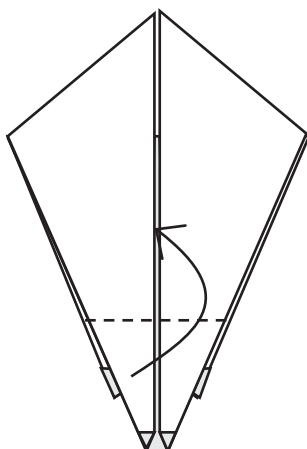
3. Rabbit ear corners to center.



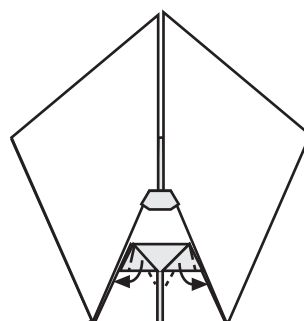
4. Swing flap down behind.



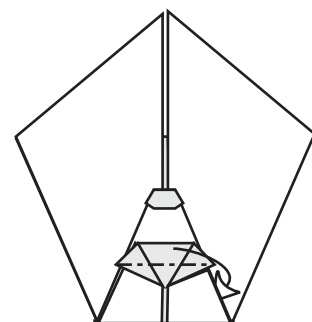
5. Turn over.



6. Valley fold **all** layers up.

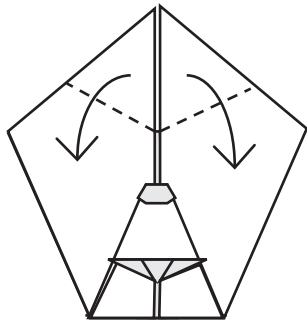


7. Slide mouth to the sides.

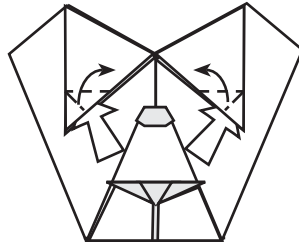


8. Mountain fold top of the mouth behind.

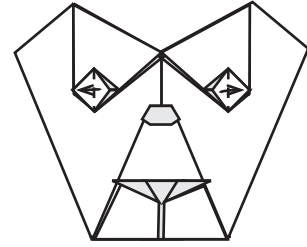
Heart of a Clown (Page 2)



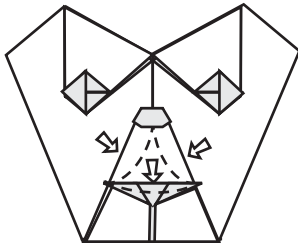
9. Valley fold corners down.



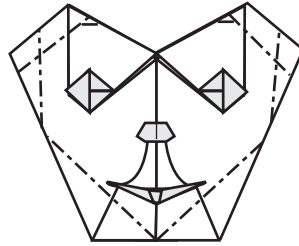
10. Squash fold eyes up.



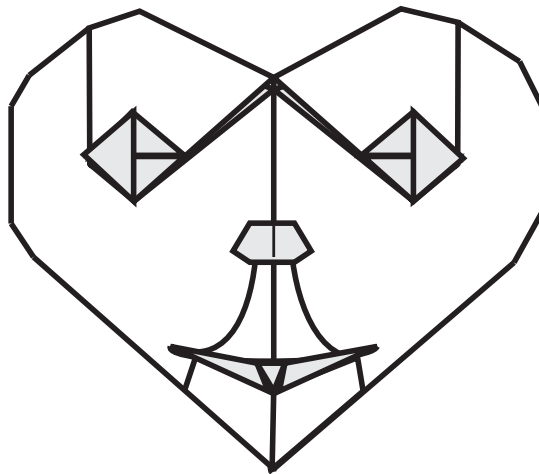
11. Valley top layers to open the eyes.



12. Pop out the nose with soft curved valley folds, and round the mouth.



13. Shape with mountain folds, to give the model a hearty look.



14. Heart of a Clown completed!